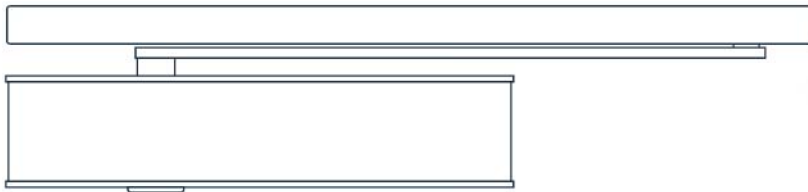




ECO

Door closer technology

---



Door closer technology

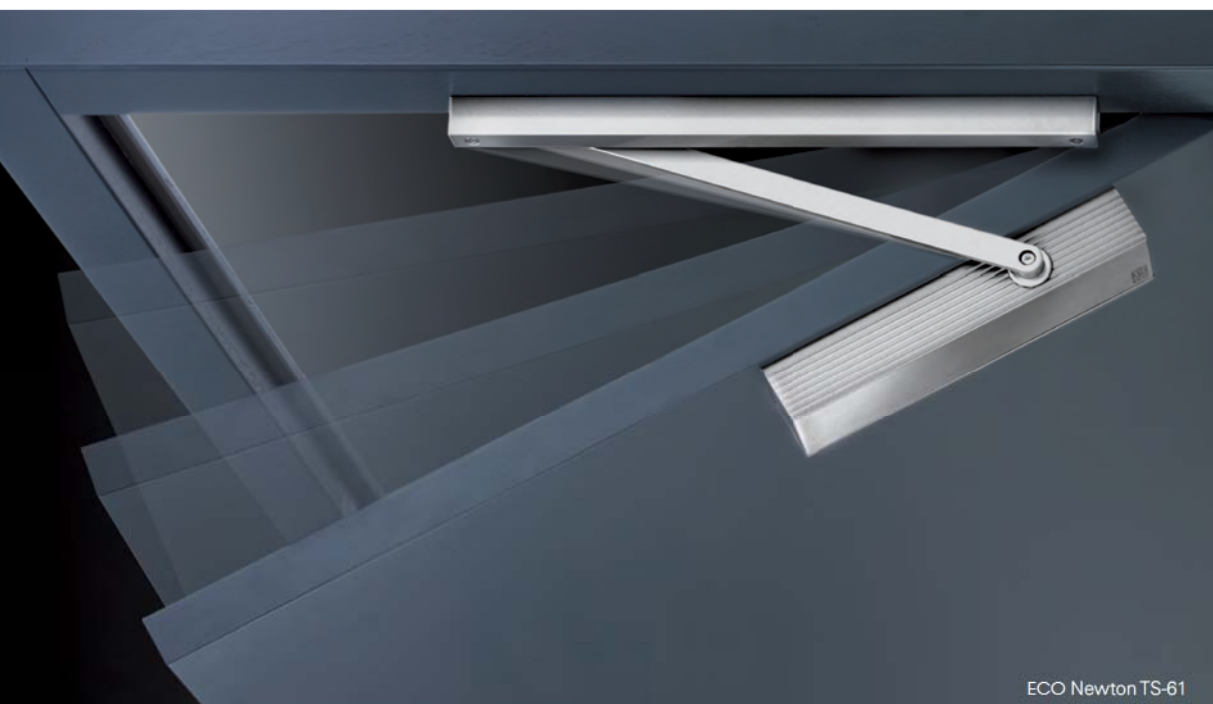
**Aesthetic**

**Powerhouses**



## Turning safety into a product

Door closers have to cope with routine daily business and emergency situations: they soften the door strike and close the door securely. In emergency situations, they guarantee that fire compartments are separated reliably so that lives can be saved. In routine situations, the asymmetric transmission makes it easier to open the door.



ECO Newton TS-61

Door closers from ECO Schulte work purely mechanically with hydraulically damped, stepped gear spring force. The mechanical principle ensures correct functioning under all conditions – even when there is a power cut. The special gearing geometry guarantees easy opening while at the same time producing sufficient standard-compliant closing power to overcome the lock resistance.

Door closers have a safety function, which makes them a part of the architecture. The ECO Schulte door closer portfolio reflects the complete spectrum of practical demands of modern architecture – no matter whether these are defined for aesthetic or functional reasons. They extend from the functional standard of the standard arm door closer through minimized, aesthetic slide rail closers and hold-open systems to "virtually invisible" closing solutions integrated into the floor or door leaf.

## The Aesthete: ECO Newton











The new door closer generation from ECO Schulte: a meticulously well-conceived design consisting of a stainless steel cover and aluminium body. Concealed mounting plates, adjusting elements protected against vandalism, colour-matched materials and the variable combination of all slide rail door closers with closing sequence regulator systems are the distinguishing features of this new generation of door closer models. In addition to this, the new "ECOvalve" technology guarantees the simple and high-precision adjustment of all parameters of the closing process.







ECO Newton TS-61

## ECO Newton overview

### Door closer with slide rail

| Description | Tests <sup>1</sup>  | Size acc. to EN <sup>2</sup> | Latching speed adjustment <sup>3</sup> | Back-check <sup>4</sup> | Closing force adjustment | Delayed action <sup>5</sup> | DIN L + R / BS + BG <sup>6</sup> |
|-------------|---|------------------------------|--|-------------------------|--------------------------|-----------------------------|----------------------------------|
| TS-61 EN    |  /  | 5-6 continuously             | from the front                         | adjustable              | from the front           | optional                    | yes / yes <sup>7</sup>           |
| TS-61 EN    |  /  | 2-5 continuously             | from the front                         | adjustable              | from the front           | optional                    | yes / yes <sup>7</sup>           |
| TS-51 EN    |  /  | 1-4 continuously             | from the front                         | adjustable              | from the front           | –                           | yes / yes <sup>7</sup>           |
| TS-41 EN    |  /  | 1-4 continuously             | from the side                          | fixed                   | from the side            | –                           | yes / yes                        |
| TS-31 EN    |  /  | 1-3 continuously             | from the side                          | fixed                   | from the side            | –                           | yes / yes                        |

### Door closer with standard arm

| Description | Tests <sup>1</sup>  | Size acc. to EN <sup>2</sup> | Latching speed adjustment <sup>3</sup> | Back-check <sup>4</sup> | Closing force adjustment | Delayed action <sup>5</sup> | DIN L + R / BS + BG <sup>6</sup> |
|-------------|---|------------------------------|--|-------------------------|--------------------------|-----------------------------|----------------------------------|
| TS-50 EN    |  /  | 1-5 continuously (6)         | from the side                          | fixed                   | from the side            | –                           | yes / yes                        |
| TS-20 EN    |  /  | 3 / 5                        | from the side                          | fixed                   | from the side            | –                           | yes / yes                        |
| TS-15 EN    | –   | 2 / 3 / 4 / 5                | from the side                          | –                       | from the side            | –                           | yes / yes                        |
| TS-14 EN    | –   | 1 / 2 / 3 / 4                | from the side                          | –                       | from the side            | –                           | yes / yes                        |

**Legend:** **1)** EN 1154 - CE-sign and fire-protection tested **2)** Door closer sizes acc. to European Norm (EN) **3)** Increases the closing force to ensure that the door closes reliably **4)** Regulates the force which is necessary to open the door **5)** Comfortable delayed action, for example for hotel rooms **6)** Available for DIN left and DIN right (L+R) as well as for hinge side (BS) or hinge-opposite side (BG) **7)** Please order execution G (=hinge-opposite side)

## The highlights of the ECO Newton range

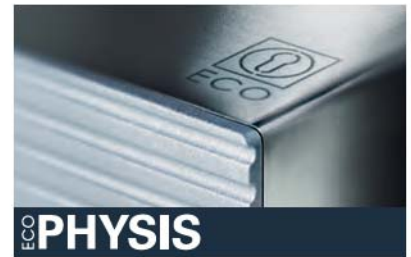
### Two units for the entire building

The ECO Newton closer portfolio covers all door dimensions with only two basic closer units. In addition to this, end-mounted valve technology permits the mounting of the same closer on the hinge and hinge-opposite side (TS-41/31).



### Combination of elegant materials

Elegant materials are standard with ECO Newton: the stainless steel cover and aluminium body unit of the new door closer generation are perfectly matched with one another - in an architecturally compatible form language.



### Intelligent stainless steel cover

ECOcllic envelops the aluminium body unit with the power of spring steel. The cover conceals all of the adjusting elements and cannot be removed without tools, thus securing the closer against unauthorized access.



### Well-conceived assembly system

The special feature of the ECO Newton assembly system is that the mounting plate is completely concealed by the aluminium body of the closer, thus making it invisible. The mounting plate has standardized drill holes which guarantee time-saving, secure and simple attachment.



### New valve technology

The new ECOvalve technology offers a wide and precisely adjustable setting range. This means the simple, high-precision and permanently secure adjustment of all parameters of the closing process with one conventional allen key. As with all ECO Newton door closers, the closing speed and latching speed are regulated via the ECOvalve as a standard feature.





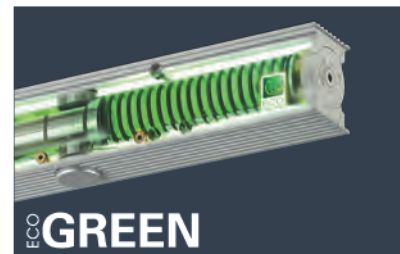
**Stainless steel full cover**

The full cover is an optional stainless steel covering for the ECO Newton door closers and related slide rails. The overall appearance is perfected by a lever arm with a stainless steel look. A cover on the closer body is available for standard arm closers.



**Saves resources**

ECO Newton door closers are up to 1,000 grammes lighter than comparable solutions. Their intelligent construction and carefully planned use of materials help considerably to save resources - without compromising functionality, safety, security or quality.



**Uniform finishing edge and colour design**

The mounted slide rail and door closer are flush when the door is closed. The colours of all materials are perfectly matched - right down to the end caps of the slide rail. In this way, ECO Newton door closers can be integrated harmoniously into every design context.



**Combination talent**

The ECO Newton Vario concept permits the use of all slide rail door closers and can even be combined with different door leaf widths. In this way, optimum value for money can be achieved for each individual door situation.



**Standardized quality**

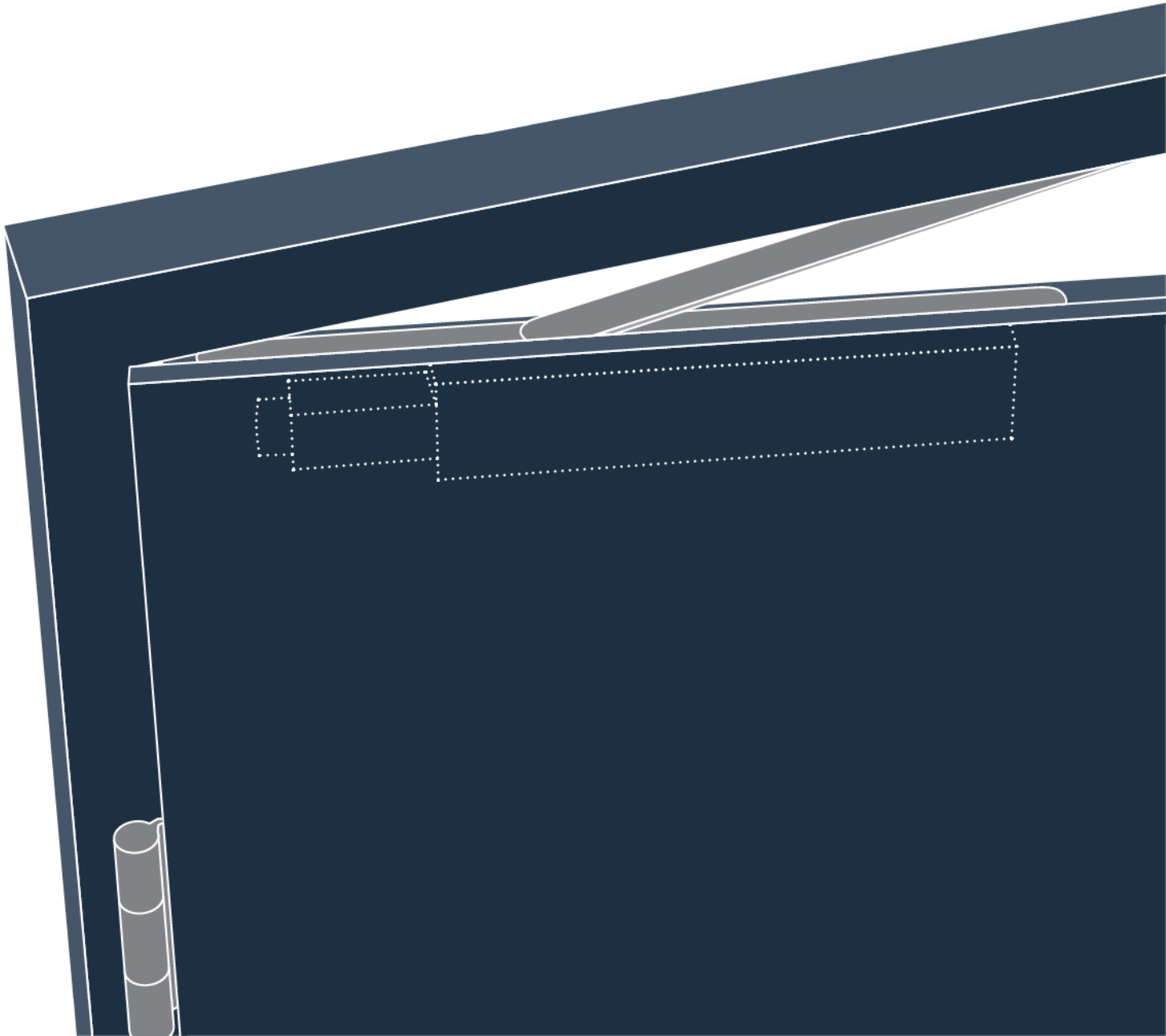
As with all ECO Schulte products, the door closers are manufactured in a quality management process certified in accordance with **ISO 9001**. This guarantees that top quality is produced and installed. Many door closer versions are suitable for use with fire and smoke protection doors - and tested in line with **EN 1154 A**. All products tested in accordance with valid European directives have the CE mark applied to them.



## The integration specialist: ECO Multi-Genius

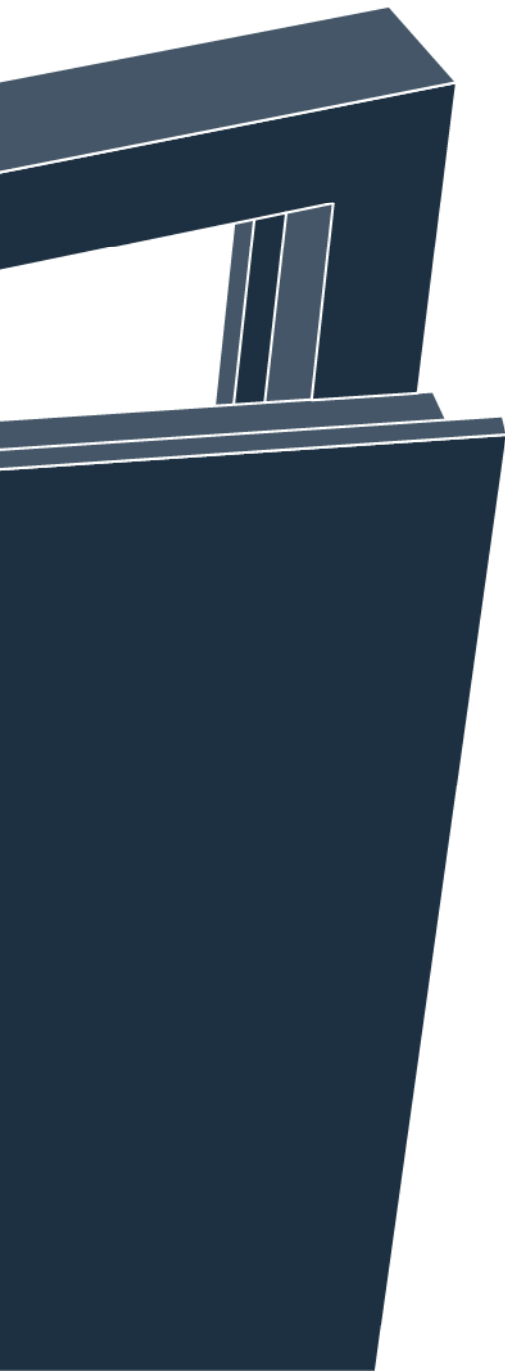


ECO Multi-Genius  
Installation version



## The aesthetics of integration

This door closer makes itself invisible. The ECO Multi-Genius is extremely compact, and this makes it suitable for installation in doors with a leaf thickness of only 40 mm. This in turn means that the closer can be integrated virtually invisibly before the door even leaves the factory. Thanks to its distinctly decreasing opening torque, the Multi-Genius is the ideal easy-use door closer with a high level of user convenience - plus a unique opening angle of 165°.



The ECO Multi-Genius is one of the most compact door closers on the market - compact enough for installation in wooden, sheet steel and profile frame doors made of aluminium/steel  $\geq 40$  mm. The principle works with an eccentrically controlled pull mechanism and microhydraulic damping unit which guarantee optimum user convenience. A visible closing power display (**in line with EN 1154 A**) enables you to set the desired closing force before installation. The closing speed and hydraulic latching have an infinitely variable adjustment even after installation.

# The Choreography of security

Door closing sequence selectors are highly complex systems which were developed to separate fire and smoke sections independently and purely mechanically. In the event of fire, a locking sequence is set in motion which is reminiscent of an exact choreography in its predetermined precision. A precisely defined closing sequence is prescribed with double-leaf doors: the passive wing must close first, then the active wing. A play of forces developed to save human life.
















## ECO FSA II System overview

### Slide rails for single-leaf doors

| Description | Tests <sup>1</sup>  | Function   | Max. door leaf width | Max. hold-open angle | Type of mounting <sup>2</sup> |
|-------------|---|--|----------------------|----------------------|-------------------------------|
| EFR         |  /  | Electromagnetic hold open and integrated smoke detector (230V)                       | 1.400 mm             | 145°                 | BS                            |
| EFR-BG      |  /  | Electromagnetic hold open and integrated smoke detector (230V) - hinge-opposite side | 1.250 mm             | 110°                 | BG                            |

### Slide rails for double-leaf doors

| Description       | Tests <sup>1</sup>  | Function  | Max. door leaf width | Max. hold-open angle | Type of mounting <sup>2</sup> |
|-------------------|---|---|----------------------|----------------------|-------------------------------|
| SR                |  /  | Closing sequence selector (SR)  | 2.800 mm             | 115° *               | BS                            |
| SR BG             |  /  | Closing sequence selector (SR) - hinge-opposite side  | 2.500 mm             | –                    | BG                            |
| SR BGX            |    | Closing sequence selector (SR) for special door dimensions - hinge-opposite side                                  | 2.500 mm             | 95° *                | BG                            |
| SR-EFR            |  /  | Closing sequence selector (SR) with hold-open function and integrated smoke detector (230V)                       | 2.800 mm             | 145° / 130°          | BS                            |
| SR-EFR -Short-    |  /  | Closing sequence selector (SR) with hold-open function RSZ hinge-opposite side                                    | 1.700 mm             | 145° / 130°          | BS                            |
| SR-EFR BG         |  /  | Closing sequence selector (SR) with hold-open function and integrated smoke detector (230V) - hinge-opposite side | 2.500 mm             | 95° / 95°            | BG                            |
| SR-EFR BG -Short- |  /  | Closing sequence selector (SR) with hold-open function and integrated smoke detector (230V) - hinge-opposite side | 1.700 mm             | 95° / 95°            | BG                            |

**Legende:** 1) EN 1155 – CE mark and fire protection authorization 2) BS = Hing-side / BG = Hinge-opposite side  
\* (mechanical hold open FKL, not suitable for use on fire doors and smoke doors)



## All a question of the system

The new ECO Newton door closers are a part of the comprehensive ECO Schulte door fittings system. ECO Schulte thinks in terms of complete solutions and is one of the very few system providers dealing in all aspects of the door. From hinges to handles and from locking technology to single and double-leaf door closing systems, the company provides all safety relevant components from a single source. A unique, logical overall concept in regard to technology, function, form and service, because safety is inseparable.

### Life-saving - if the worst comes to the worst



ECO Schulte system technology for doors protects property and generates safety. The system philosophy at the door is universal: with system solutions from ECO Schulte, it is guaranteed that a door cannot become an obstacle when trying to escape. This claim is visualized in the company logo: it is the all-encompassing system technology that makes doors safe.

# ECO closing sequence selector

## Impressive in design, technology and installation



### 1. Design

- Continuous cover
- Continuously painted in RAL, or stainless steel full cover
- No visible smoke detector from front, slots only visible from the top and the bottom
- No visible release button, release from the bottom



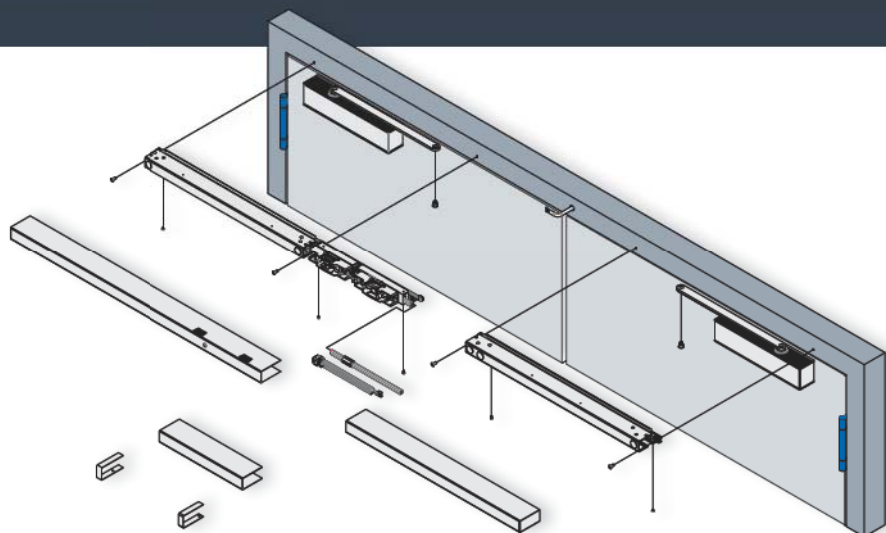
### 2. Technique

- New smoke detector technology acc. to **DIN 14677** (revision mandatory after 8 years)
- Alarm level monitoring /automatic calibration
- Dust indication (optical pre-information about dirt level)
- Approval for hinge side and hinge-opposite side. Power supply for connection of external magnets
- Compatible for connection of external fire alarm system, BUS-compatible, central building control systems (GLT)
- Compatible for smoke detector type ORS 142 and TDS 247

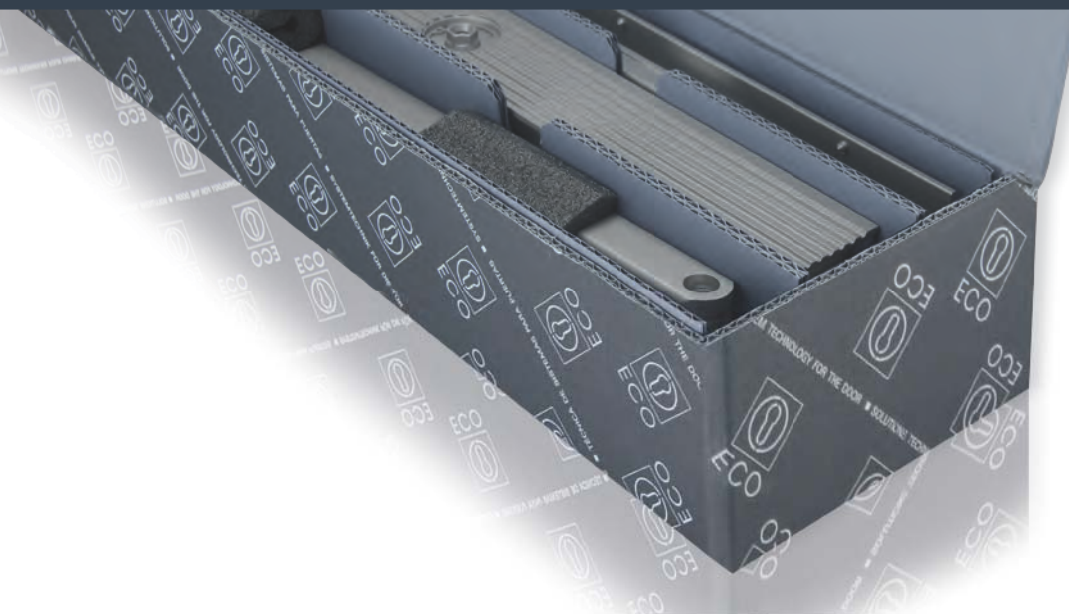


### 3. Mounting

- No calibration of the coordinator necessary
- Pre-mounted components
- Mounting with two screws per leaf only
- Continuous cover
- Wiring through easy plug- and play cable connection systems



### 4. Packing



- New complete packing, complete set including door closer and accessory
- No information about hinge distance necessary since all coordinators are delivered up to maximum length
- Set systems: e.g.
  - TS-41 up to 2.200 mm
  - TS-61 (2-5) up to 2.500 mm
  - TS-61 (5-6) up to 2.800 mm

# ECO Newton



ECO Newton TS-61 (EN 5 – 6; EN 2 – 5)  
Page 49



ECO Newton TS-51 (EN 1 – 4)  
Page 49



ECO Newton TS-41 (EN 1 – 4)



ECO Newton TS-31 (EN 1 – 3)



ECO Newton TS-15 K (EN 1 / 2)



ECO Newton TS-50 (EN 1 – 5; (6))  
Page 60



ECO Newton TS-20 (EN 2 / 3 / 5)



ECO Newton TS-15  
(EN 2 / 3 / 4 / 5)  
Page 60



ECO Newton TS-14  
(EN 1 / 2 / 3 / 4)  
Page 60



## Concealed door closer

**NEU!**



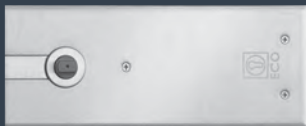
ITS Multi-Genius (EN 1 – 4; EN 2 – 5)



ITS 420



FTS-63 / FTS-63 R (EN 2 – 5 / EN 5 – 6)  
Free-swinging door closer



BTS (EN 3, EN 4)  
Floor spring  
Page 160

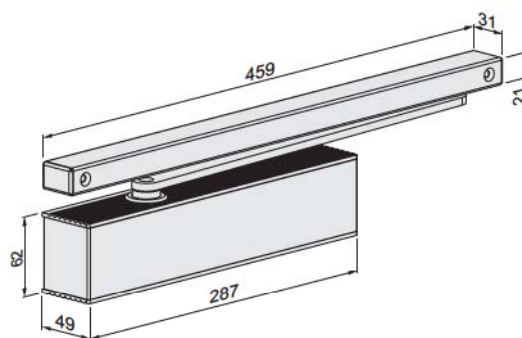
ECO **Newton** TS-61



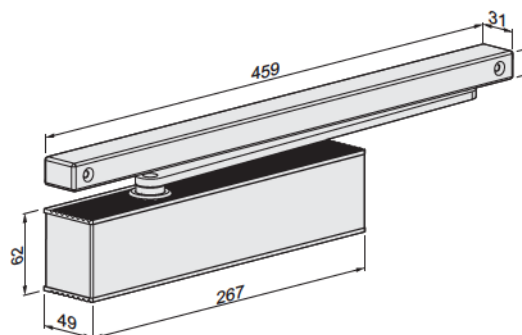
**Product characteristics**

|  |                 |                  |          |
|--|-----------------|------------------|----------|
| Closing force (continuously adjustable)                  | Size acc. to EN | 2 – 5            | 5 – 6    |
|  |                 | <b>F</b>         | <b>F</b> |
| Door width   | ≤ 1.250 mm      | ■                | ■        |
| acc. to EN   | ≤ 1.400 mm      | -                | ■        |
| Dimensions (incl. mounting plate)                        | Length in mm    | 287              | 267      |
|  | Depth in mm     | 49               | 49       |
|  | Height in mm    | 62               | 62       |
| Mounting plate acc. to EN 1154 A (supplementary sheet 1) |                 | ■                | ■        |
| Hinge side and hinge-opposite side                       |                 | □                | □        |
| DIN left / right   |                 | ■                | ■        |
| Latching speed (continuously adjustable)                 |                 | ■                | ■        |
| Closing speed (continuously adjustable)                  |                 | ■                | ■        |
| Back-check (continuously adjustable)                     |                 | ■                | ■        |
| Delayed action (continuously adjustable)                 |                 | □                | □        |
| Tested acc. to EN  |                 | <b>EN 1154 A</b> |          |
| Suitable for fire- and smoke control doors               |                 | <b>F</b>         |          |
| Certified according to EU-Directive                      |                 | <b>CE</b>        |          |

- Yes
- No
- Option



Dimensions: TS-61 (2 – 5)



Dimensions: TS-61 (5 – 6)



**ECO Newton TS-61 ■ Highlights at a glance**

**ECO UNITY**

**ECO PHYSIS**

**ECO CLIC**

**ECO MOUNT**

**ECO VALVE**

**ECO COVER<sup>2</sup>**

**ECO GREEN**

**ECO LINE**

**ECO VARIO**

Details regarding the ECO Newton Highlights can be found in the intro of this chapter.

|  |                                 |                                 |                                 |
|--|---------------------------------|---------------------------------|---------------------------------|
|  |                                 |                                 |                                 |
| Body: Silver RAL 9006<br>ECOcllic: Stainless steel polished or satin | Body + ECOcllic: White RAL 9016 | Body + ECOcllic: Black RAL 9005 | Body + ECOcllic: Brown RAL 8014 |

Slide rail and arm are always delivered in the same colour as the ordered door closer body.

Under-lintel angle for door closer  
Page 181

Under-lintel angle for slide rail  
Page 181

Adaptor profile  
Page 184

# Order information

## ECO Newton TS-61 ▪ Door closer with slide rail

### Product information

Closing force 2 – 5 (5 – 6) tested acc. to **EN 1154 A** (for door width up to 1.250 mm (1.400 mm) continuously adjustable. Latching speed, closing speed and back-check continuously adjustable. **Delayed action as option.** Same version DIN left and DIN right. Mounting height with mounting plate only 49 mm. Door opening angle: 180°

- **ECOunity:** The ECO Newton closer portfolio covers all door dimensions with only two basic closer units.
- **ECOphysis:** Door closer and slide rail build a unit in aluminium and stainless steel
- **ECOcllic:** The stainless steel cover encloses the aluminium body with the power of spring steel and conceals all of the adjusting elements, thus securing the closer against unauthorized access.
- **ECMount:** Mounting plate according to **EN 1154** is completely covered by the door closer
- **ECOvalve:** Simple, high-precision and permanently secure adjustment of all parameters of the closing process with one conventional allen key.
- **ECOgreen:** The intelligent construction and carefully planned use of materials help considerably to save resources.
- **ECOcover<sup>2</sup>:** Optional stainless steel cover for the ECO Newton door closers and related slide rails. Please order the lever arm in stainless steel look for the perfect overall appearance.
- **ECOline:** The mounted slide rail and door closer are flush when the door is closed. The colours of all materials are perfectly matched - right down to the end caps of the slide rail.
- **ECOvario:** permits the use of all slide rail door closers and can even be combined with different door leaf widths. In this way, optimum value for money can be achieved for each individual door situation.

#### **New packaging:**

Set incl. door closer body, slide rail B, arm for slide rail B, allen key, mounting plate, mounting instructions, paper template and fixing material.

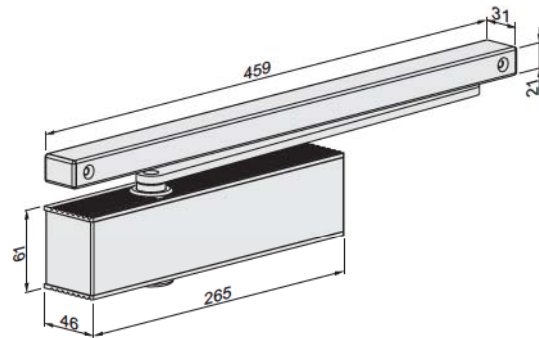




**Product characteristics**

|  |                       |       |
|--|-----------------------|-------|
| Closing force (continuously adjustable)                  | Size acc. to EN       | 1 - 4 |
| Door width   | acc. to EN ≤ 1.100 mm | ■     |
| Dimensions (incl. mounting plate)                        | Length in mm          | 265   |
|  | Depth in mm           | 46    |
|  | Height in mm          | 61    |
| Mounting plate acc. to EN 1154 A (supplementary sheet 1) |                       | ■     |
| Hinge side and hinge-opposite side                       |                       | □     |
| DIN left / right   |                       | ■     |
| Latching speed (continuously adjustable)                 |                       | ■     |
| Closing speed (continuously adjustable)                  |                       | ■     |
| Back-check (continuously adjustable)                     |                       | ■     |
| Tested acc. to EN  | <b>EN 1154 A</b>      |       |
| Suitable for fire- and smoke control doors               | <b>F</b>              |       |
| Certified according to EU-Directive                      | <b>CE</b>             |       |

- Yes
- No
- Option



Dimensions: TS-51



**ECO Newton TS-51 ■ Order information**



\*optional

Details regarding the ECO Newton Highlights can be found in the intro of this chapter.



Body: Silver RAL 9006  
ECOcllic: Stainless steel polished or satin

Body + ECOcllic: White RAL 9016

Body + ECOcllic: Black RAL 9005

Body + ECOcllic: Brown RAL 8014

Slide rail and arm are always delivered in the same colour as the ordered door closer body.



Under-lintel angle for door closer  
Page 181



Under-lintel angle for slide rail  
Page 181



Adaptor profile  
Page 184

# Order information

## ECO Newton TS-51 ▪ Door closer with slide rail

### Product information

Closing force 1 – 4, tested acc. to **EN 1154 A** (for door widths up to 1.100 mm) continuously adjustable. Latching speed, closing speed and back-check continuously adjustable. Same version DIN left and DIN right. Mounting height with mounting plate only 46 mm. Door opening angle: 180°

- **ECOunity:** The ECO Newton closer portfolio covers all door dimensions with only two basic closer units.
- **ECOphysis:** Door closer and slide rail build a unit in aluminium and stainless steel
- **ECOcllic:** The stainless steel cover encloses the aluminium body with the power of spring steel and conceals all of the adjusting elements, thus securing the closer against unauthorized access.
- **ECOmout:** Mounting plate according to **EN 1154** is completely covered by the door closer
- **ECOvalve:** Simple, high-precision and permanently secure adjustment of all parameters of the closing process with one conventional allen key.
- **ECOcover<sup>2</sup>:** Optional stainless steel cover for the ECO Newton door closers and related slide rails. Please order the lever arm in stainless steel look for the perfect overall appearance.
- **ECOLine:** The mounted slide rail and door closer are flush when the door is closed. The colours of all materials are perfectly matched - right down to the end caps of the slide rail.
- **ECOvario:** perwirths the use of all slide rail door closers and can even be combined with different door leaf widths. In this way, optimum value for money can be achieved for each individual door situation.

### New packaging:

Set incl. door closer, slide rail B, arm for slide rail B, mounting plate, mounting instructions, paper template and fixing material.

### Article numbers



| Hinge side slide rail B | Colour           | Article number  | Hinge side without slide rail | Colour           | Article number  |
|-------------------------|------------------|-----------------|-------------------------------|------------------|-----------------|
| TS-51 B (1 – 4)         | Silver RAL 9006* | 305153EA1A01010 | TS-51 B (1 – 4)               | Silver RAL 9006* | 355153EA1A00010 |
| TS-51 B (1 – 4)         | White RAL 9016   | 305153EA3E01010 | TS-51 B (1 – 4)               | White RAL 9016   | 355153EA3E00010 |
| TS-51 B (1 – 4)         | Brown RAL 8014   | 305153EA3D01010 | TS-51 B (1 – 4)               | Brown RAL 8014   | 355153EA3D00010 |
| TS-51 B (1 – 4)         | Black RAL 9005   | 305153EA3G01010 | TS-51 B (1 – 4)               | Black RAL 9005   | 355153EA3G00010 |

| Hinge-opposite side slide rail B | Colour           | Article number  | Hinge side without slide rail B | Colour           | Article number  |
|----------------------------------|------------------|-----------------|---------------------------------|------------------|-----------------|
| TS-51 G (1 – 4)                  | Silver RAL 9006* | 305163EA1A01010 | TS-51 G (1 – 4)                 | Silver RAL 9006* | 355163EA1A00010 |
| TS-51 G (1 – 4)                  | White RAL 9016   | 305163EA3E01010 | TS-51 G (1 – 4)                 | White RAL 9016   | 355163EA3E00010 |
| TS-51 G (1 – 4)                  | Brown RAL 8014   | 305163EA3D01010 | TS-51 G (1 – 4)                 | Brown RAL 8014   | 355163EA3D00010 |
| TS-51 G (1 – 4)                  | Black RAL 9005   | 305163EA3G01010 | TS-51 G (1 – 4)                 | Black RAL 9005   | 355163EA3G00010 |

\*Door closer body in silver RAL 9006, ECOcllic stainless steel satin or polished as option

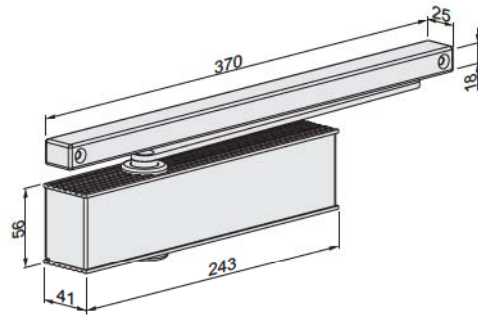
ECO **Newton** TS-41



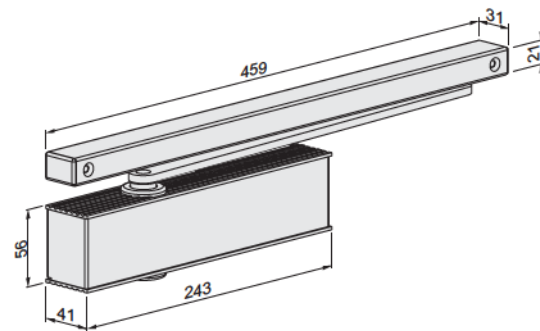
**Product characteristics**

|  |   |                 |
|--|---|-----------------|
| Closing force<br>(continuously adjustable)                         | Size acc. to EN                             | 1 – 4           |
| Door width   | acc. to EN ≤ 1.100 mm                       | ■               |
| Dimensions<br>(incl. mounting plate)                               | Length in mm<br>Depth in mm<br>Height in mm | 243<br>41<br>56 |
| Mounting plate acc. to EN 1154 A (supplementary sheet 1) with GS B |   | □               |
| Hinge side and hinge-opposite side                                 |   | ■               |
| DIN left / right   |   | ■               |
| Latching speed<br>(continuously adjustable)                        |   | ■               |
| Closing speed<br>(continuously adjustable)                         |   | ■               |
| Back-check<br>(constant)   |   | ■               |
| Delayed action<br>(continuously adjustable)                        |   | -               |
| Tested acc. to EN  | <b>EN 1154 A</b>                            |                 |
| Suitable for fire- and smoke control doors                         | <b>F</b>                                    |                 |
| Certified according to EU-Directive                                | <b>CE</b>                                   |                 |

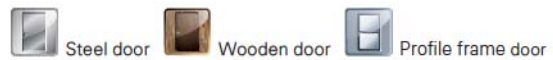
- Yes
- No
- Option



Dimensions: TS-41 with slide rail K



Dimensions: TS-41 with slide rail B



**ECO Newton TS-41 - Highlights at a glance**

**ECO UNITY**

**ECO PHYSIS**

**ECO CLIC**

**ECO VALVE**

**ECO GREEN**

**ECO LINE**

**ECO VARIO**

\*optional

**ECO MOUNT**

**ECO COVER2**

Details regarding the ECO Newton Highlights can be found in the intro of this chapter.

|  |  |  |  |
|--|--|--|--|
| <p>Body: Silver RAL 9006<br/>ECOcllic: Stainless steel<br/>polished or satin</p> | <p>Body + ECOcllic:<br/>White RAL 9016</p> | <p>Body + ECOcllic:<br/>Black RAL 9005</p> | <p>Body + ECOcllic:<br/>Brown RAL 8014</p> |
|--|--|--|--|

Slide rail and arm are always delivered in the same colour as the ordered door closer body.

Under-lintel angle  
for door closer  
Page 181

Under-lintel angle  
for slide rail  
Page 181

Adaptor profile  
Page 184

Glass clamping  
device  
Page 182



# Order information

## ECO Newton TS-41 ▪ Door closer with slide rail

### Product information

Closing force 1 – 4, tested acc. to **EN 1154 A** (for door width up to 1.100 mm) continuously adjustable. Latching speed and closing speed continuously adjustable. Back-check fixed. Same version DIN left and DIN right. Mounting height only 41 mm. Weight: 1.380g. Max. door opening angle: 180°

- **ECOunity:** The ECO Newton closer portfolio covers all door dimensions with only two basic closer units. One execution for all four mounting types.
- **ECOphysis:** Door closer and slide rail build a unit in aluminium and stainless steel
- **ECOcllic:** The stainless steel cover encloses the aluminium body with the power of spring steel and conceals all of the adjusting elements, thus securing the closer against unauthorized access.
- **ECMount:** Optional mounting plate, acc. to **EN 1154**, supplementary sheet 1 – nur with slide rail B
- **ECOvalve:** Simple, high-precision and permanently secure adjustment of all parameters of the closing process with one conventional Allen key.
- **ECOcover<sup>2</sup>:** Optional stainless steel cover for the ECO Newton door closers and related slide rails. Please order the lever arm in stainless steel look for the perfect overall appearance.
- **ECOgreen:** The intelligent construction and carefully planned use of materials help considerably to save resources
- **ECOline:** The mounted slide rail and door closer are flush when the door is closed. The colours of all materials are perfectly matched - right down to the end caps of the slide rail K
- **ECOvario:** perwiths the use of all slide rail door closers and can even be combined with different door leaf widths. In this way, optimum value for money can be achieved for each individual door situation.

### New packaging:

TS-41 B: (Mounting acc. DIN holes) Set incl. door closer, slide rail B, arm for slide rail B, mounting plate, mounting instructions, paper template and fixing material.

TS-41 K: (Mounting set incl. door closer, slide rail K, arm for slide rail K, paper template and fixing material)

### Article numbers

| Door closer**<br>slide rail B | Colour           | Article number  |
|-------------------------------|------------------|-----------------|
| TS-41 B (1 – 4)               | Silver RAL 9006* | 304152F11A00590 |
| TS-41 B (1 – 4)               | White RAL 9016   | 304152F11E00590 |
| TS-41 B (1 – 4)               | Brown RAL 8014   | 304152F11D00590 |
| TS-41 B (1 – 4)               | Black RAL 9005   | 304152F11G00590 |



| Door closer***<br>slide rail K | Colour           | Article number  | Door closer***<br>without slide rail | Colour           | Article number  |
|--------------------------------|------------------|-----------------|--------------------------------------|------------------|-----------------|
| TS-41 K (1 – 4)                | Silver RAL 9006* | 304152F11A00910 | TS-41 (1 – 4)                        | Silver RAL 9006* | 354152F11A00010 |
| TS-41 K (1 – 4)                | White RAL 9016   | 304152F11E00910 | TS-41 (1 – 4)                        | White RAL 9016   | 354152F11E00010 |
| TS-41 K (1 – 4)                | Brown RAL 8014   | 304152F11D00910 | TS-41 (1 – 4)                        | Brown RAL 8014   | 354152F11D00010 |
| TS-41 K (1 – 4)                | Black RAL 9005   | 304152F11G00910 | TS-41 (1 – 4)                        | Black RAL 9005   | 354152F11G00010 |

\*Door closer body in silver RAL 9006, ECOcllic stainless steel satin, polished on request.

\*\*Scope of delivery: Incl. mounting plate for DIN holes.

\*\*\*Scope of delivery: Without mounting plate.

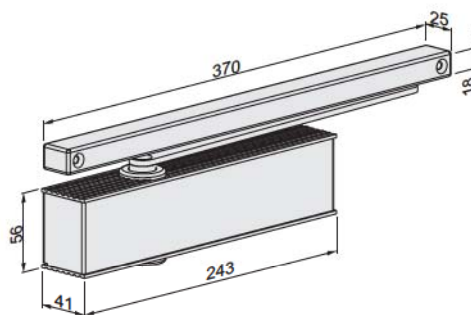
ECO **Newton** TS-31



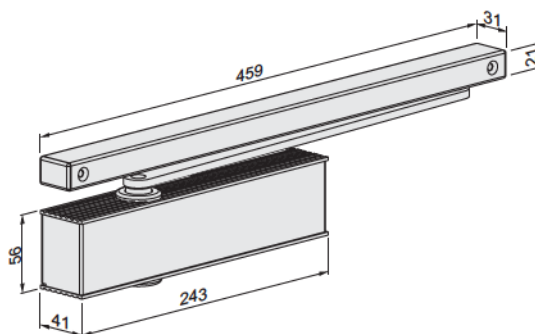
**Product characteristics**

|  |                     |                  |
|--|---------------------|------------------|
| Closing force<br>(continuously adjustable)                         | Size acc. to EN     | 1 - 3            |
| Door width   | acc. to EN ≤ 950 mm | ■                |
| Dimensions<br>(incl. mounting plate)                               | Length in mm        | 243              |
|  | Depth in mm         | 41               |
|  | Height in mm        | 56               |
| Mounting plate acc. to EN 1154 A (supplementary sheet 1) with GS B |                     | □                |
| Hinge side and hinge-opposite side                                 |                     | ■                |
| DIN left / right   |                     | ■                |
| Latching speed<br>(continuously adjustable)                        |                     | ■                |
| Closing speed<br>(continuously adjustable)                         |                     | ■                |
| Back-check<br>(constant)   |                     | -                |
| Delayed action<br>(continuously adjustable)                        |                     | -                |
| Tested acc. to EN  |                     | <b>EN 1154 A</b> |
| Suitable for fire- and smoke control doors                         |                     | <b>F</b>         |
| Certified according to EU-Directive                                |                     | <b>CE</b>        |

- Yes
- No
- Option



Dimensions: TS-31 with slide rail K



Dimensions: TS-31 with slide rail B



**Newton TS-31 ■ Highlights at a glance**



\*optional

Details regarding the ECO Newton Highlights can be found in the intro of this chapter.



Body: Silver RAL 9006  
ECOcllic: Stainless steel  
polished or satin

Body + ECOcllic:  
White RAL 9016

Body + ECOcllic:  
Black RAL 9005

Body + ECOcllic:  
Brown RAL 8014

Slide rail and arm are always delivered in the same colour as the ordered door closer body.



Under-lintel angle  
for door closer  
Page 181



Under-lintel angle  
for slide rail  
Page 181



Adaptor profile  
Page 184

# Order information

## ECO Newton TS-31 ■ Door closer with slide rail

### Product information

Closing force 1 – 3, tested acc. to **EN 1154 A** (for door widths up to 950 mm) continuously adjustable. Latching speed and closing speed continuously adjustable from the side. Same version DIN left and DIN right. Mounting height only 41 mm. Weight: 1.380. Max. door opening angle: 180°

- **ECOunity:** The ECO Newton closer portfolio covers all door dimensions with only two basic closer units. One execution for all four mounting types
- **ECOphysis:** Door closer and slide rail build a unit in aluminium and stainless steel
- **ECOcllic:** The stainless steel cover encloses the aluminium body with the power of spring steel and conceals all of the adjusting elements, thus securing the closer against unauthorized access.
- **ECOmout:** Optional mounting plate, acc. to **EN 1154**, supplementary sheet 1 – nur with slide rail B
- **ECOvalve:** Simple, high-precision and permanently secure adjustment of all parameters of the closing process with one conventional Allen key.
- **ECOcover<sup>2</sup>:** Optional stainless steel cover for the ECO Newton door closers and related slide rails. Please order the lever arm in stainless steel look for the perfect overall appearance.
- **ECOgreen:** The intelligent construction and carefully planned use of materials help considerably to save resources
- **ECOline:** The mounted slide rail and door closer are flush when the door is closed. The colours of all materials are perfectly matched - right down to the end caps of the slide rail K
- **ECOvario:** permits the use of all slide rail door closers and can even be combined with different door leaf widths. In this way, optimum value for money can be achieved for each individual door situation.

### New packaging:

TS-31 B: (Mounting acc. DIN holes) Set incl. door closer B, slide rail, arm for slide rail B, mounting plate, mounting instructions, paper template and fixing material.

TS-31 K: (Mounting set incl. door closer body, slide rail K, arm for slide rail K, paper template and fixing material)

### Article numbers

| Door closer**<br>slide rail B | Colour           | Article number  |
|-------------------------------|------------------|-----------------|
| TS-31 B (1 – 3)               | Silver RAL 9006* | 303155F11A00590 |
| TS-31 B (1 – 3)               | White RAL 9016   | 303155F11E00590 |
| TS-31 B (1 – 3)               | Brown RAL 8014   | 303155F11D00590 |
| TS-31 B (1 – 3)               | Black RAL 9005   | 303155F11G00590 |



| Door closer***<br>slide rail K | Colour           | Article number  | Door closer ***<br>without slide rail | Colour           | Article number  |
|--------------------------------|------------------|-----------------|---------------------------------------|------------------|-----------------|
| TS-31 K (1 – 3)                | Silver RAL 9006* | 303155F11A09010 | TS-31 (1 – 3)                         | Silver RAL 9006* | 353155F11A00010 |
| TS-31 K (1 – 3)                | White RAL 9016   | 303155F11E09010 | TS-31 (1 – 3)                         | White RAL 9016   | 353155F11E00010 |
| TS-31 K (1 – 3)                | Brown RAL 8014   | 303155F11D09010 | TS-31 (1 – 3)                         | Brown RAL 8014   | 353155F11D00010 |
| TS-31 K (1 – 3)                | Black RAL 9005   | 303155F11G09010 | TS-31 (1 – 3)                         | Black RAL 9005   | 353155F11G00010 |

\*Door closer body in silver RAL 9006, ECOcllic stainless steel satin, polished on request.

\*\*Scope of delivery: Incl. mounting plate for DIN holes.

\*\*\*Scope of delivery: Without mounting plate.

ECO **Newton** TS-15 K



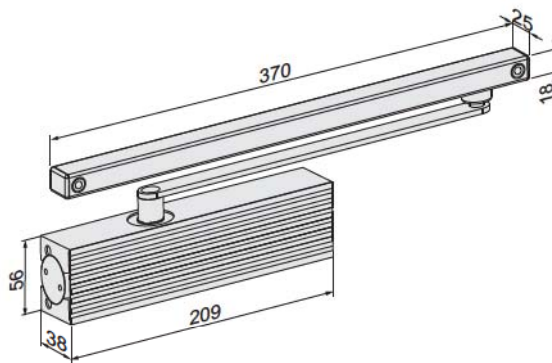


**Product characteristics**

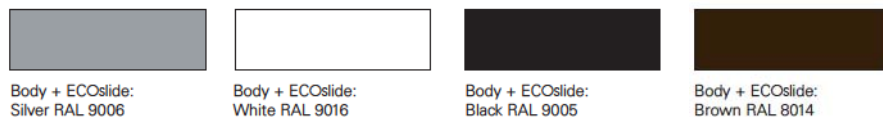
TS-15 K

|  |                 |     |
|--|-----------------|-----|
| Closing force                                | Size acc. to EN | 1/2 |
| Door width                                   | ≤ 800 mm        | ■   |
| Dimensions                                   | Length in mm    | 209 |
|  | Depth in mm     | 38  |
|  | Height in mm    | 56  |
| Mounting plate                               |                 | -   |
| Hinge side and hinge-opposite side           |                 | ■   |
| DIN left / right                             |                 | ■   |
| Latching speed<br>(adjustable from the side) |                 | ■   |
| Closing speed<br>(adjustable from the side)  |                 | ■   |

- Yes
- No
- Option



Dimensions: TS-15 K



Slide rail and standard arm are always delivered in the same colour as the ordered door closer body.

ECO Newton TS-15 with slide rail K



# Order information

## ECO Newton TS-15 K ▪ Door closer with slide rail

### Product information

- Closing force 1 / 2 acc. to EN (for door width to 800 mm)
- Latching speed and closing speed continuously adjustable from the side
- Same version DIN left and DIN right
- Height only 38 mm
- Max. door opening angle: 180°

### New packaging:

Set incl. door closer body, slide rail and arm K.

### Article numbers



| Door closer with slide rail K | Colour |          | Article number  |
|-------------------------------|--------|----------|-----------------|
| TS-15 K (1/2)                 | Silver | RAL 9006 | 301552E11A09010 |
| TS-15 K (1/2)                 | White  | RAL 9016 | 301552E11E09010 |
| TS-15 K (1/2)                 | Brown  | RAL 8014 | 301552E11D09010 |
| TS-15 K (1/2)                 | Black  | RAL 9005 | 301552E11G09010 |

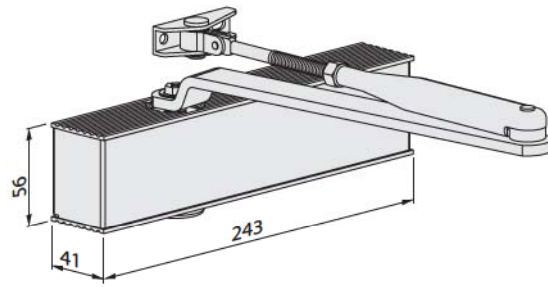
ECO **Newton** TS-50



**Product characteristics**

|   |                       |       |     |
|---|-----------------------|-------|-----|
| Closing force (continuously adjustable)                     | Size acc. to EN       | 1 – 5 | 6   |
| Door width  | acc. to EN ≤ 1.250 mm | ■     |     |
| Door width (acc. separate mounting position)                | acc. to EN ≤ 1.400 mm |       | ■   |
| Dimensions (incl. mounting plate)                           | Length in mm          | 243   | 243 |
|   | Depth in mm           | 41    | 41  |
|   | Height in mm          | 56    | 56  |
| Mounting plate acc. to EN 1154 A (supplementary sheet 1)    |                       | □     |     |
| Hinge side and hinge-opposite side                          |                       | ■     | ■   |
| DIN left / right  |                       | ■     | ■   |
| Latching speed (continuously adjustable)                    |                       | ■     | ■   |
| Closing speed (continuously adjustable)                     |                       | ■     | ■   |
| Back-check (constant)                                       |                       | ■     | ■   |
| Delayed action not fire certified (continuously adjustable) |                       | -     | -   |
| Tested acc. to EN   | <b>EN 1154 A</b>      |       | -   |
| Suitable for fire- and smoke control doors                  | <b>F</b>              |       | -   |
| Certified according to EU-Directive                         | <b>CE</b>             |       | -   |

- Yes
- No
- Option



Dimensions: TS-50

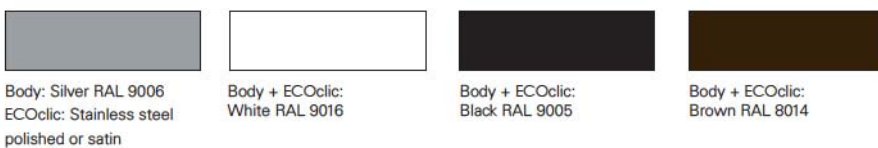


**ECO Newton TS-50 ■ Highlights at a glance**



\*optional

Details regarding the ECO Newton Highlights can be found in the intro of this chapter.



Body: Silver RAL 9006  
ECOcllic: Stainless steel polished or satin

Body + ECOcllic: White RAL 9016

Body + ECOcllic: Black RAL 9005

Body + ECOcllic: Brown RAL 8014

Slide rail and arm are always delivered in the same colour as the ordered door closer body.



Under-lintel angle for door closer  
Page 181



Adaptor profile  
Page 184



Angle bracket for parallel arm mounting  
Page 180

# Order information

## ECO Newton TS-50 ▪ Door closer with standard arm

### Product information

Closing force 1 - 5, tested acc. to **EN 1154 A** (Size 6 for door widths up to 1.400 mm)\*\* continuously adjustable. Latching speed and closing speed continuously adjustable. Back-check constant. Same version DIN left and DIN right. Mounting height only 41 mm. Weight: 1.280 g. Max. door opening angle: 180°

- **ECOunity:** The ECO Newton closer portfolio covers all door dimensions with only two basic closer units.
- **ECOcllic:** The stainless steel cover encloses the aluminium body with the power of spring steel and conceals all of the adjusting elements, thus securing the closer against unauthorized access.
- **ECOMount:** Optional mounting plate according to **EN 1154**, supplementary sheet 1
- **ECOvalve:** Simple, high-precision and permanently secure adjustment of all parameters of the closing process with one conventional Allen key.
- **ECOcover<sup>2</sup>:** Optional stainless steel cover for the ECO Newton door closers
- **ECOgreen:** The intelligent construction and carefully planned use of materials help considerably to save resources

Hinge side: Standard mounting on door leaf. Hinge-opposite side: Head mounting on door frame.

#### New packaging:

TS-50 Standard: (Standard mounting set) incl. door closer body, standard arm, paper template and fixing material.  
 TS-50 DIN: (Mounting acc. DIN holes) Set with door closer body, standard arm, incl. mounting plate, mounting instructions, paper template and fixing material.

### Article numbers



| Door closer with standard arm | Colour           | Article number  | Door closer without standard arm | Colour           | Article number  |
|-------------------------------|------------------|-----------------|----------------------------------|------------------|-----------------|
| TS-50 (1 - 5; (6))**          | Silver RAL 9006* | 305052F11A71010 | TS-50 (1 - 5; (6))**             | Silver RAL 9006* | 355052F11A00010 |
| TS-50 (1 - 5; (6))**          | White RAL 9016   | 305052F11E71010 | TS-50 (1 - 5; (6))**             | White RAL 9016   | 355052F11E00010 |
| TS-50 (1 - 5; (6))**          | Brown RAL 8014   | 305052F11D71010 | TS-50 (1 - 5; (6))**             | Brown RAL 8014   | 355052F11D00010 |
| TS-50 (1 - 5; (6))**          | Black RAL 9005   | 305052F11G71010 | TS-50 (1 - 5; (6))**             | Black RAL 9005   | 355052F11G00010 |

| Door closer DIN with standard arm incl. mounting plate | Colour           | Article number  |
|--|------------------|-----------------|
| TS-50 DIN (1 - 5)                                      | Silver RAL 9006* | 305052F11A71080 |
| TS-50 DIN (1 - 5)                                      | White RAL 9016   | 305052F11E71080 |
| TS-50 DIN (1 - 5)                                      | Brown RAL 8014   | 305052F11D71080 |
| TS-50 DIN (1 - 5)                                      | Black RAL 9005   | 305052F11G71080 |

\*Door closer body in silver RAL 9006, ECOcllic in stainless steel satin, optional polished

\*\*size 1 - 5 certified acc. to EN 1154 A, size 6 (by moving the door closer) not certified acc. to EN 1154 A



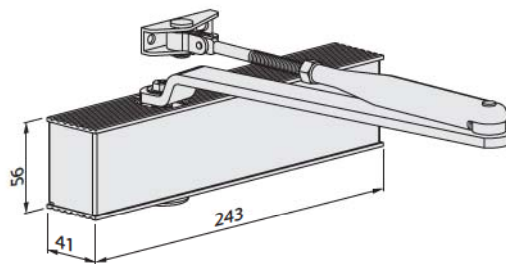
ECO **Newton** TS-20



**Product characteristics**

|   |                       |                  |
|---|-----------------------|------------------|
| Closing force (stepwise adjustable)                             | Size acc. to EN       | 2/3/5            |
| Door width  | acc. to EN ≤ 1.250 mm | ■                |
| Dimensions (incl. mounting plate)                               | Length in mm          | 243              |
|   | Depth in mm           | 41               |
|   | Height in mm          | 56               |
| Mounting plate acc. to <b>EN 1154 A</b> (supplementary sheet 1) |                       | □                |
| Hinge side and hinge-opposite side                              |                       | ■                |
| DIN left / right  |                       | ■                |
| Back-check (constant)   |                       | ■                |
| Latching speed (continuously adjustable)                        |                       | ■                |
| Closing speed (continuously adjustable)                         |                       | ■                |
| Delayed action (continuously adjustable)                        |                       | -                |
| Tested acc. to EN   |                       | <b>EN 1154 A</b> |
| Suitable for fire- and smoke control doors                      |                       | <b>F</b>         |
| Certified according to EU-Directive                             |                       | <b>CE</b>        |

- Yes
- No
- Option



Dimensions: TS-20



**ECO Newton TS-20 ■ Highlights at a glance**



\*optional

Details regarding the ECO Newton Highlights can be found in the intro of this chapter.



Body: Silver RAL 9006  
ECOcllic: Stainless steel polished or satin

Body + ECOcllic: White RAL 9016

Body + ECOcllic: Black RAL 9005

Body + ECOcllic: Brown RAL 8014

Slide rail and arm are always delivered in the same colour as the ordered door closer body.



Under-lintel angle for door closer Page 181



Adaptor profile Page 184



Angle bracket for parallel arm mounting Page 180.

# Order information

## ECO Newton TS-20 ▪ Door closer with standard arm

### Product information

Closing force 2 / 3 / 5, tested acc. to **EN 1154 A** (for door widths up to 1.250 mm) adjustable by moving the door closer. Latching speed and closing speed continuously adjustable. Back-check constant. Same version DIN left and DIN right. Mounting height only 41 mm. Weight: 1.320g. Max. door opening angle: 180°

- **ECOunity:** The ECO Newton closer portfolio covers all door dimensions with only two basic closer units.
- **ECOcllic:** The stainless steel cover encloses the aluminium body with the power of spring steel and conceals all of the adjusting elements, thus securing the closer against unauthorized access.
- **ECOvalve:** Simple, high-precision and permanently secure adjustment of all parameters of the closing process with one conventional Allen key.
- **ECOcover<sup>2</sup>:** Optional stainless steel cover for the ECO Newton door closers.
- **ECOgreen:** The intelligent construction and carefully planned use of materials help considerably to save resources

Pull side: standard mounting on door leaf. Push side: head mounting on door frame.



The different sizes are reached by moving the door closer on the door leaf. Additional drilling only necessary for size EN 5.

### Article numbers



| Door closer with standard arm | Colour           | Article number  | Door closer without standard arm | Colour           | Article number  |
|-------------------------------|------------------|-----------------|----------------------------------|------------------|-----------------|
| TS-20 (2/3/5)                 | Silver RAL 9006* | 302052F11A71010 | TS-20 (2/3/5)                    | Silver RAL 9006* | 352052F11A00010 |
| TS-20 (2/3/5)                 | White RAL 9016   | 302052F11E71010 | TS-20 (2/3/5)                    | White RAL 9016   | 352052F11E00010 |
| TS-20 (2/3/5)                 | Brown RAL 8014   | 302052F11D71010 | TS-20 (2/3/5)                    | Brown RAL 8014   | 352052F11D00010 |
| TS-20 (2/3/5)                 | Black RAL 9005   | 302052F11G71010 | TS-20 (2/3/5)                    | Black RAL 9005   | 352052F11G00010 |

\*Door closer body in silver RAL 9006, ECOcllic stainless steel satin or polished as option



The different sizes are reached by moving the door closer on the door leaf. Additional drilling only necessary for size EN 5.

ECO **Newton** TS-15

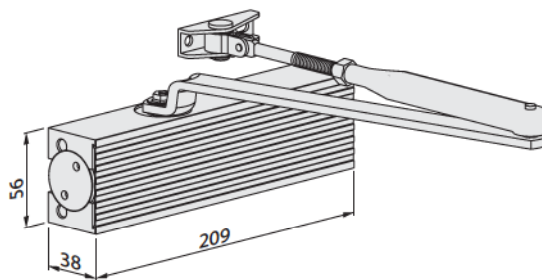


**Product characteristics**

**TS-15**

|  |                 |         |
|--|-----------------|---------|
| Closing force                                | Size acc. to EN | 2/3/4/5 |
| Door width                                   | ≤ 1.250 mm      | ■       |
| Dimensions                                   | Length in mm    | 209     |
|  | Depth in mm     | 38      |
|  | Height in mm    | 56      |
| Mounting plate                               |                 | -       |
| Hinge side and hinge-opposite side           |                 | ■       |
| DIN left / right                             |                 | ■       |
| Latching speed<br>(adjustable from the side) |                 | ■       |
| Closing speed<br>(adjustable from the side)  |                 | ■       |

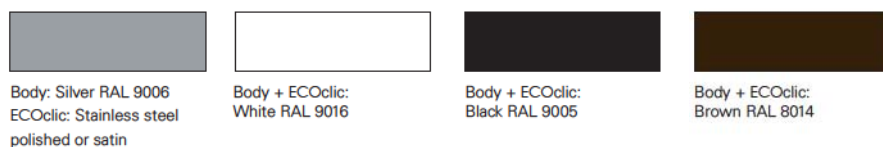
- Yes
- No
- Option



Dimensions: TS-15

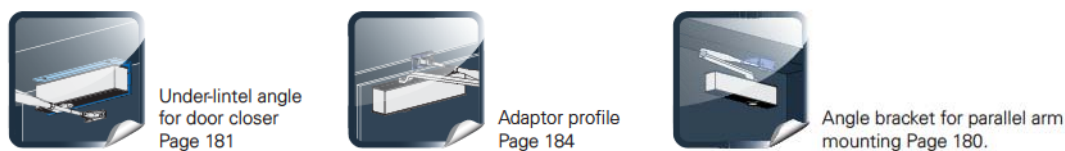


**!** The different door closer sizes for the type TS-15 are reached by moving the door closer on the door leaf.



Slide rail and standard arm are always delivered in the same colour as the ordered door closer body.

ECO Newton TS-15 with standard arm:





# Order information

## ECO Newton TS-15 ▪ Door closer with standard arm

### Product information

- Closing force 2 / 3 / 4 / 5 acc. to EN (for door width to 1.250 mm)  
Adjustable by moving the door closer.
- Latching speed and closing speed continuously adjustable from the side
- Same version DIN left and DIN right
- Height only 38 mm
- Max. door opening angle: 180°

### Article numbers



| Door closer with standard arm | Colour          | Article number  | Door closer without standard arm | Colour          | Article number  |
|-------------------------------|-----------------|-----------------|----------------------------------|-----------------|-----------------|
| TS-15 (2/3/4/5)               | Silver RAL 9006 | 301552E11A71000 | TS-15 (2/3/4/5)                  | Silver RAL 9006 | 351552E11A00010 |
| TS-15 (2/3/4/5)               | White RAL 9016  | 301552E11E71000 | TS-15 (2/3/4/5)                  | White RAL 9016  | 351552E11E00010 |
| TS-15 (2/3/4/5)               | Brown RAL 8014  | 301552E11D71000 | TS-15 (2/3/4/5)                  | Brown RAL 8014  | 351552E11D00010 |
| TS-15 (2/3/4/5)               | Black RAL 9005  | 301552E11G71000 | TS-15 (2/3/4/5)                  | Black RAL 9005  | 351552E11G00010 |

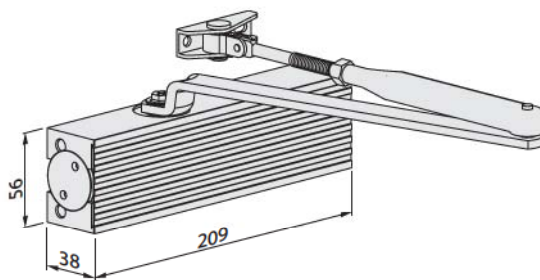
ECO **Newton** TS-14



**Product characteristics**

|  |                 |         |
|--|-----------------|---------|
| Closing force<br>(continuously adjustable)   | Size acc. to EN | 1/2/3/4 |
| Door width                                   | ≤ 1.100 mm      | ■       |
| Dimensions                                   | Length in mm    | 209     |
|  | Depth in mm     | 38      |
|  | Height in mm    | 56      |
| Mounting plate                               |                 | -       |
| Hinge side and hinge-opposite side           |                 | ■       |
| DIN left / right                             |                 | ■       |
| Latching speed<br>(adjustable from the side) |                 | ■       |
| Closing speed<br>(adjustable from the side)  |                 | ■       |

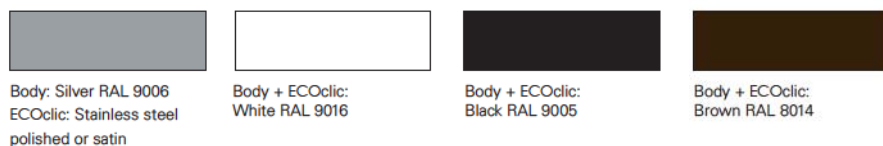
- Yes
- No
- Option



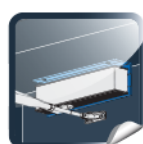
Dimensions: TS-14



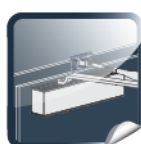
**!** The different sizes are reached by moving the door closer on the door leaf.



Slide rail and arm are always delivered in the same colour as the ordered door closer body.



Under-lintel angle for door closer  
Page 181



Adaptor profile  
Page 184



Angle bracket for parallel arm mounting  
Page 180.

# Order information

## ECO Newton TS-14 ■ Door closer with standard arm

### Product information

- Closing force 1 / 2 / 3 / 4 acc. to EN (for door width up to 1.100 mm)  
Adjustable by moving the door closer.
- Latching speed and closing speed continuously adjustable from the side
- Same version DIN left and DIN right
- Height only 38 mm
- Max. door opening angle: 180°

### Article numbers



| Door closer with standard arm |           | Colour |          | Article number  | Door closer without standard arm |           | Colour |          | Article number  |
|-------------------------------|-----------|--------|----------|-----------------|----------------------------------|-----------|--------|----------|-----------------|
| TS-14                         | (1/2/3/4) | Silver | RAL 9006 | 301452E11A71010 | TS-14                            | (1/2/3/4) | Silver | RAL 9006 | 351452E11A00010 |
| TS-14                         | (1/2/3/4) | White  | RAL 9016 | 301452E11E71010 | TS-14                            | (1/2/3/4) | White  | RAL 9016 | 351452E11E00010 |
| TS-14                         | (1/2/3/4) | Brown  | RAL 8014 | 301452E11D71010 | TS-14                            | (1/2/3/4) | Brown  | RAL 8014 | 351452E11D00010 |
| TS-14                         | (1/2/3/4) | Black  | RAL 9005 | 301452E11G71010 | TS-14                            | (1/2/3/4) | Black  | RAL 9005 | 351452E11G00010 |

# ECO ITS Multi-Genius

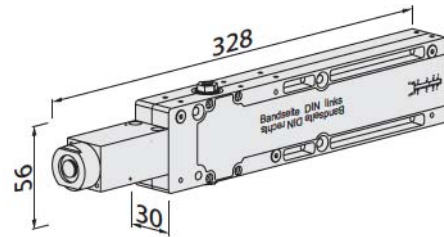




Product characteristics

|  |                 |                  |       |
|--|-----------------|------------------|-------|
| Closing force<br>(with closing force display, continuously adjustable)   | Size acc. to EN | 1 – 4            | 2 – 5 |
| Door width   | ≤ 1.100 mm      | ■                | ■     |
| acc. to EN   | ≤ 1.250 mm      | -                | ■     |
| Dimensions<br>(incl. mounting plate<br>for Multi-Genius)   | Length in mm    | 328              | 328   |
|  | Depth in mm     | 30               | 30    |
|  | Height in mm    | 56               | 56    |
| DIN left / right   |                 | ■                | ■     |
| Latching speed<br>(continuously adjustable)  |                 | ■                | ■     |
| Closing speed<br>(continuously adjustable)   |                 | ■                | ■     |
| Door opening angle<br>(*depends on the notch of the door)  |                 | 140 – 165**      |       |
| Tested acc. to EN  |                 | <b>EN 1154 A</b> |       |
| Suitable for fire- and smoke control doors<br>(no permission for head mounting on hinge-opposed<br>sided, concealed ITS) |                 |                  |       |
| Certified according to EU-Directive  |                 |                  |       |

- Yes
- No
- Option



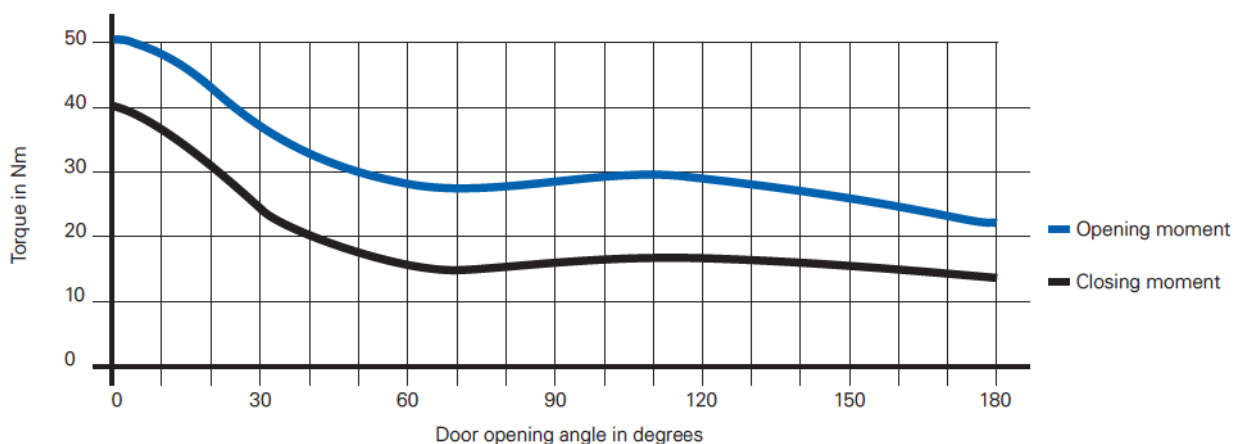
Dimensions: ITS Multi-Genius



ECO Multi-Genius ■ Find out the trick!

With a simple 90° rotation of the micro-hydraulic damping unit, the ITS Multi-Genius can be used either as an integrated or as a top-mounted door closer. By this, the ITS Multi-Genius connects intelligent door closer technology with practical use. One system for two different areas of application. Owing to the integrated eccentric link pull, the door can be opened without larger efforts of force. The construction of the ITS Multi-Genius ensures that the opening moment is falling rapidly. Result is a problem-free comwithting of the door which can be opened easily!

Moment curve Multi-Genius (EN 2 – 5, max. closing force)



# Order information

## ECO ITS Multi-Genius ■ Concealed door closer

### Product information

- ITS Multi-Genius for use in wooden doors, profile frame doors made of aluminium/steel and doors made of sheet steel starting from  $\leq 40$  mm door thickness, only 30 mm depth, enables an unproblematic and invisible mounting in the door leaf without any additional reinforcement.
- Hydraulic cylinder containing only 12 ml oil has a huge advantage when it comes to the use in fire-protection doors
- The strongly decreasing opening moment allows an easier opening of the door
- Visible closing force display. A continuous adjustment of the closing force is possible before installation
- Easy handling of adjusting the closing speed and latching speed, even in mounted condition.
- Default delivery condition with pre-adjustment of size **EN 3** and slide rail IS, offered in 20 x 20 mm and 20 x 12 mm

### Article numbers



| Door closer<br>(concealed) |              | Article number  |
|----------------------------|--------------|-----------------|
| ITS M-G (1 - 4)            | - integrated | 358038M00000000 |
| ITS M-G (2 - 5)            | - integrated | 358038A00000000 |

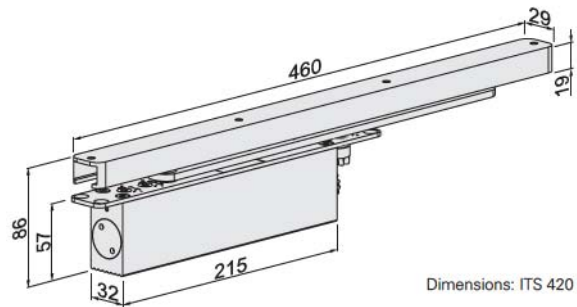
# ECO ITS 420



**Product characteristics**

|   |                  |       |
|---|------------------|-------|
| Closing force<br>(with closing force display, continuously adjustable)  | Size acc. to EN  | 2 - 4 |
| Door width  | ≤ 1.100 mm       | ■     |
| Dimensions  | Length in mm     | 215   |
|   | Depth in mm      | 32    |
|   | Height in mm     | 56    |
| DIN left / right  |                  | ■     |
| Latching speed<br>(continuously adjustable)   |                  | ■     |
| Closing speed<br>(continuously adjustable)  |                  | ■     |
| max. door opening angle<br>(*depends on the notch of the door / A door stopper for opening limit is a must!)            |                  | 120°* |
| Tested acc. to EN   | <b>EN 1154 A</b> |       |
| Suitable for fire- and smoke control doors<br>(no permission for head mounting on hinge-opposited sidet, concealed ITS) | <b>F</b>         |       |
| Certified according to EU-Directive   |                  |       |

- Yes
- No
- Option



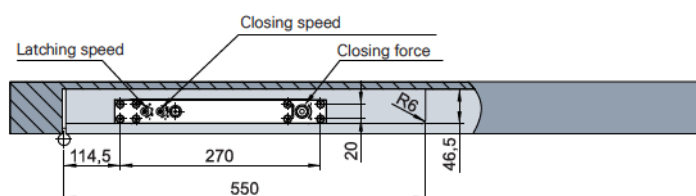
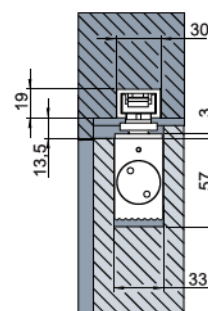
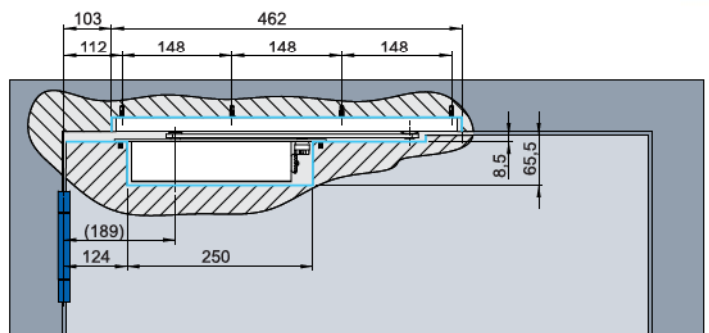
Dimensions: ITS 420



**ITS 420**

The ITS 420 is specially designed for light interior doors weighing up to 80 kg with a max. opening angle of 120°. Thanks to its transmission construction, it can be used as a DIN left or DIN right pendulum closer. The closing force is adjusted from above and adjustment is also possible after the door has been installed.

**ITS 420**



# Order information

## ECO ITS 420 ■ Concealed door closer

### Product information

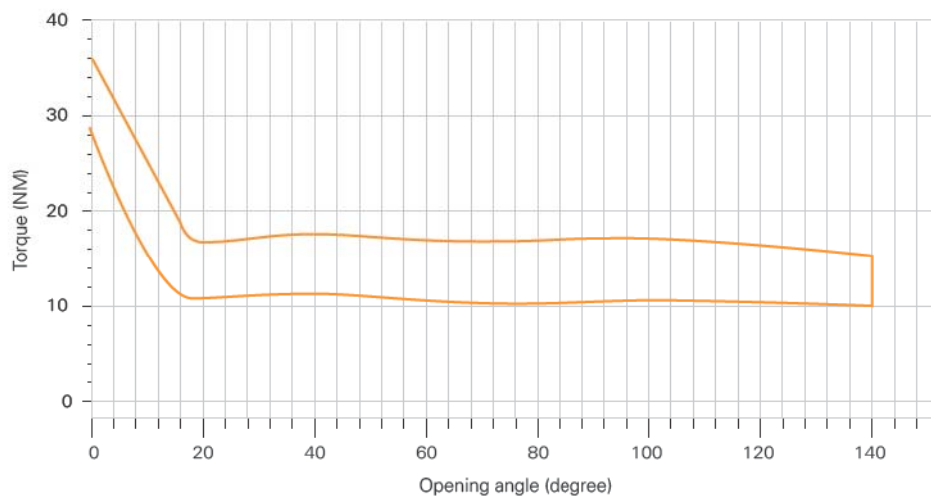
- ITS 420 for use in wooden doors, profile frame doors made of aluminium/steel and doors made of sheet steel starting from  $\leq 40$  mm door thickness, only 32 mm depth, enables an unproblematic and invisible mounting in the door leaf without any additional reinforcement.
- The strongly decreasing opening moment allows an easier opening of the door
- Adjustment of closing force, even in mounted condition.
- Easy handling of adjusting the closing speed and latching speed, even in mounted condition.
- Default delivery condition with pre-adjustment of size **EN 3** and slide rail IS 30 or IS 30 MFA (mechanic hold-open).

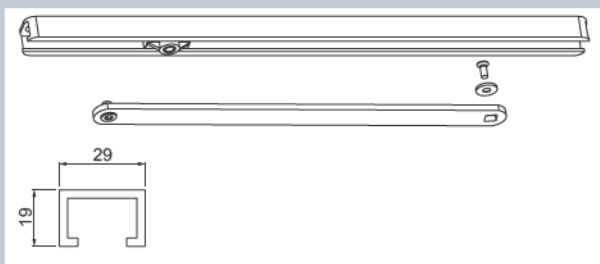
### Article numbers



| Door closer (concealed) |              | Article number  |
|-------------------------|--------------|-----------------|
| ITS 420 (2 - 4)         | - integrated | 358040M00000000 |

### Range of application ITS 420



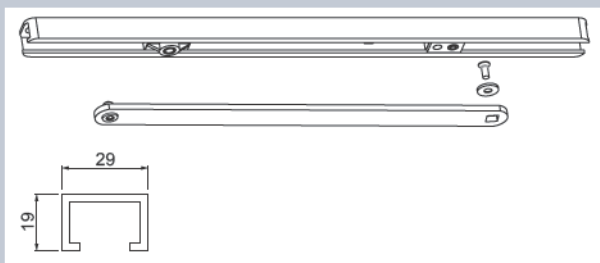


**IS 30**

**Slide rail IS 30 for ITS 420 (concealed door closer)**

- **Scope of delivery:**  
Slide rail IS 30, arm, lock plate and fixing material.

| Slide rail IS | Profile    | Article number  |
|---------------|------------|-----------------|
| IS 30         | 29 x 19 mm | 350140000O98000 |



Mounting slide rail IS 30 MFA

**IS 30 MFA**

**Slide rail IS with mechanic hold-open for ITS 420 (concealed door closer)**

- **Mechanical hold open:**  
adjustable from 70° - 150°. Same execution DIN left and DIN right.
- **Scope of delivery:**  
Slide rail IS 30 MFA, arm, lock plate and fixing material.
- **Not suitable for fire- and smoke control doors**

| Slide rail MFA | Profile    | Article number  |
|----------------|------------|-----------------|
| IS MFA 30      | 29 x 19 mm | 350140000O95000 |

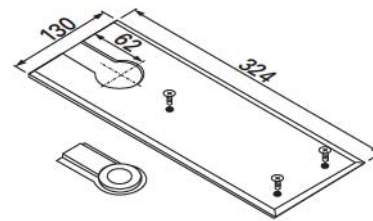


ECO **BTS**

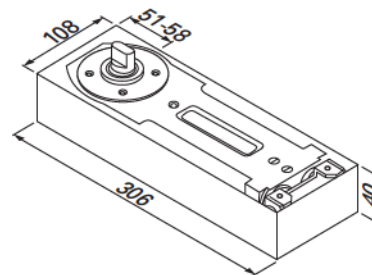


| Product characteristics   |                                      | BTS 843                                     | BTS 844          |
|---|--------------------------------------|---|------------------|
| Closing force<br>(with closing force display, continuously adjustable)                  | Size acc. to EN                      | 3   | 4                |
| Door width<br>acc. to EN  | ≤ 950 mm                             | ■   | ■                |
|   | ≤ 1.100 mm                           | -   | ■                |
| Door weight<br>acc. to EN   | max. in kg                           | 120   | 150              |
|   | Dimensions<br>(incl. mounting plate) | Length in mm<br>Depth in mm<br>Height in mm | 306<br>108<br>40 |
| Latching speed<br>(adjustable)  |                                      | ■   | ■                |
| Closing speed<br>(adjustable)   |                                      | ■   | ■                |
| Hold open 90° or 105°<br>Not fire proved (continuously adjustable)                      |                                      | □   | □                |
| DIN left / right  |                                      | ■   | ■                |
| Door opening angle  |                                      | 130°  |                  |
| Tested acc. to EN   |                                      | <b>EN 1154 A</b>                            |                  |
| Suitable for fire- and smoke control doors<br>(no permission when using with hold-open) |                                      | <b>F</b>                                    |                  |
| Certified according to EU-Directive   |                                      | <b>CE</b>                                   |                  |

■ Yes  
 - No  
 □ Option



Dimensions: Cover



Dimensions: Cement case



## ECO BTS ■ ... flattens itself!

The BTS-FH floor spring is distinguished by its particularly flat design which makes it the ideal door closer for single-leaf latching and swinging doors. The overall height of only 40 mm enables easy installation.

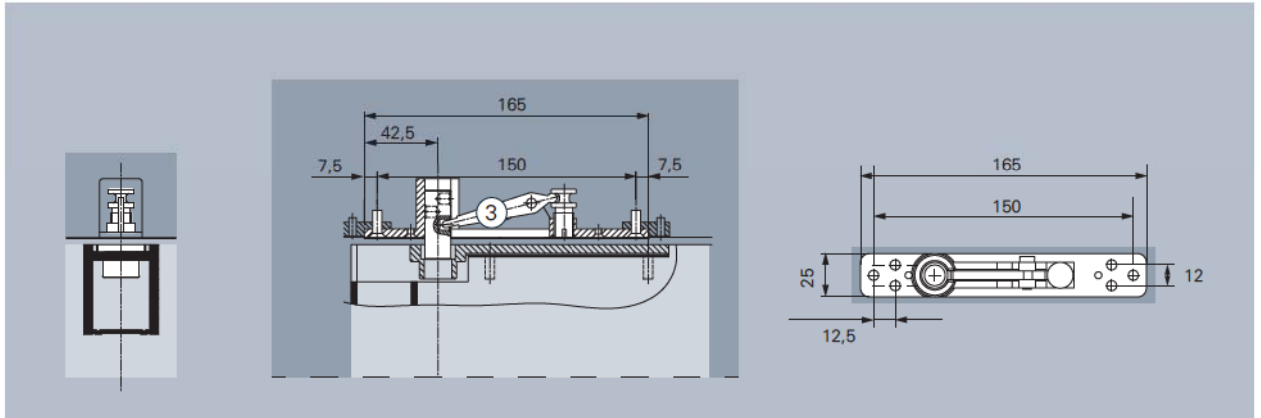
The BTS-FH is available in size 3 and size 4. It is tested acc. to **EN 1154 A** and therefore meets all requirements.



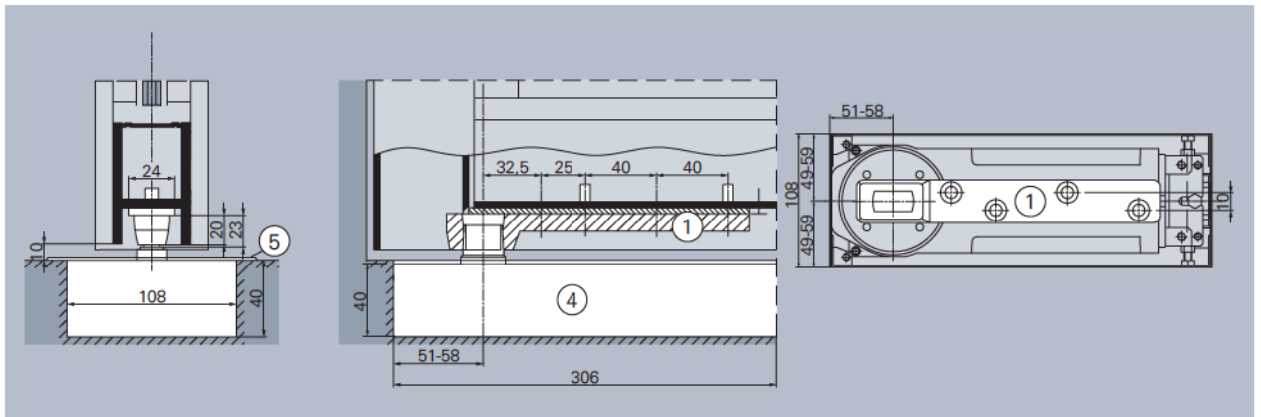
For the use on solid glass doors you need the respective fittings. You can get more information in the chapter "Glass door fittings".

# Installation drawing for patch handles

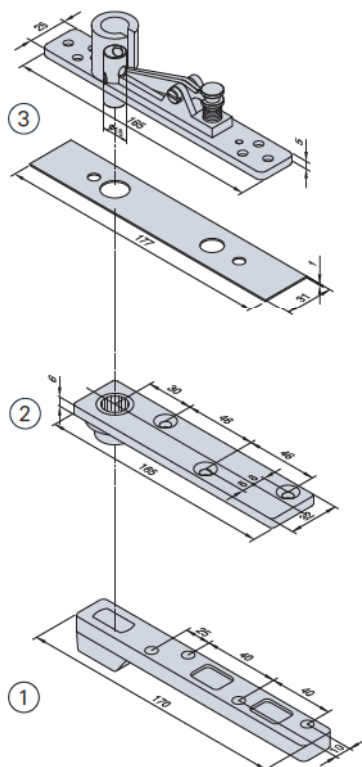
Illustration DIN left door, DIN right laterally reversed



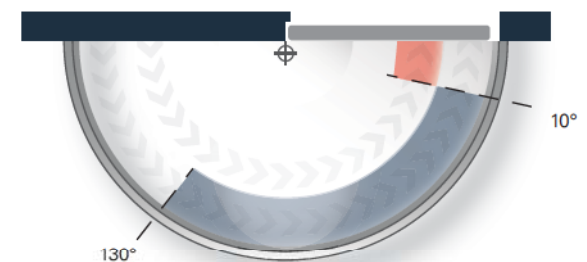
Frame installation, reception on top



Floor mounting



Closing force diagram BTS, hinge side



**Closing speed**  
Continuously adjustable closing speed from approx. 130° to 10°

**Latching speed**  
Increases the closing speed and thus the safe closing of the door, for example to overcome door seals, door locks and high air pressure. Continuously adjustable, works between 10° to 0°

Illustration: Accessories sets

# Order information

## ECO BTS ▪ Product description

### Floor spring ECO BTS

Door closer for single-leaf single action doors / double swing door. Installation in the floor incl. accessory set containing

- ① slide rail for metal and wooden doors
- ② reception for pivot hinge
- ③ adjustable pivot hinge
- ④ cement case
- ⑤ and cover made of stainless steel

- Dimensions: 306 / 108 / 40 mm
- Closing force: 3 or 4, not adjustable
- Back-check: optional, adjustable
- Closing speed: adjustable
- Latching speed: adjustable
- Opening angle: 130°
- Hold-open as option, 90° or 105°

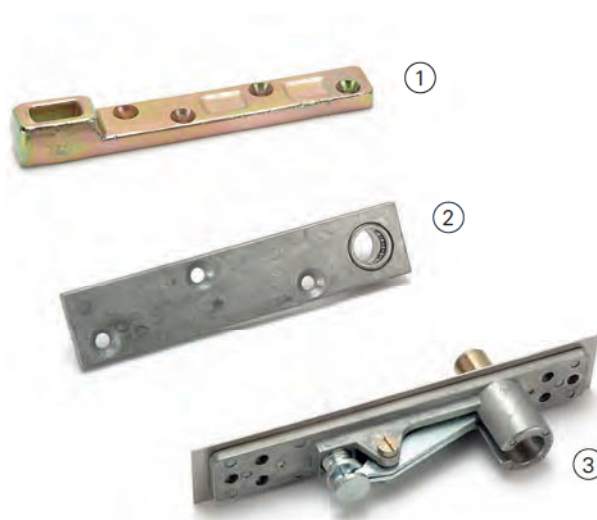


Illustration: Accessories sets

### Article numbers



| Door-closer<br>FH 843 | Hold-open | Article number  | Door-closer<br>FH 844 | Hold-open | Article number  |
|-----------------------|-----------|-----------------|-----------------------|-----------|-----------------|
| FH 843 (3)            | -         | 307048000000000 | FH 844 (4)            | -         | 307048000020000 |
| FH 843 (3)            | 90°       | 307048000000001 | FH 844 (4)            | 90°       | 307048000020001 |
| FH 843 (3)            | 105°      | 307048000000002 | FH 844 (4)            | 105°      | 307048000020002 |